



Your source for high quality, affordable lasers

## DATA SHEET

### LD PUMPED ALL-SOLID-STATE AOM Q-SWITCHED LASER

All solid state AOM Q-switched laser at 532nm has the features of high peak power, high repetition rate, and short pulse duration, which is used in marking, carving, measurement, scientific research and so on.



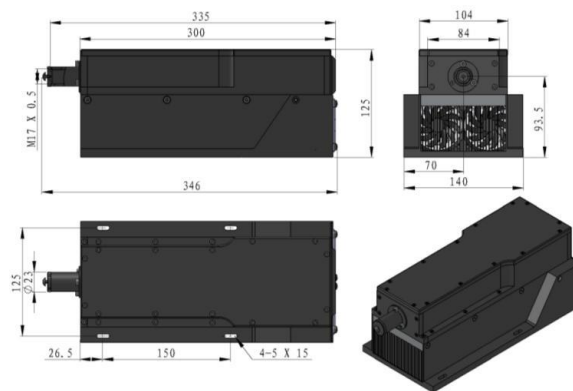
Model: AO-W-532/1~300µJ/1~2W

Wavelength (nm)	532 ± 1nm
Operating mode	Q-switched: AOM (Acousto-Optic Modulation)
Average power (W)	~2W@10kHz Average power (W) = Single pulse energy (mJ) * Rep. rate (kHz)
Single pulse energy (µJ)	1~300 (300µJ@5kHz; 200µJ@10kHz)
Pulse duration (ns)	Typical ~10@<10kHz, varies from power and repetition.
Peak power (kW)	1~30
Rep. rate (kHz)	1~50
Average power stability (over 4 hours)	<1%, <3%, <5%, <10%, optional
Warm-up time (minutes)	<10
Beam divergence, full angle (mrad)	<2.0
Beam diameter at the aperture (mm)	~2.5
Beam height from base plate (mm)	93.5
Polarization ratio	>100:1
Cooled method	Air cooled
Operating temperature (°C)	10~35
Power supply (220/110VAC)	PSU-AOM
Expected lifetime (hours)	10,000
Warranty period	1 year

Laser Head Model: AO-W-532

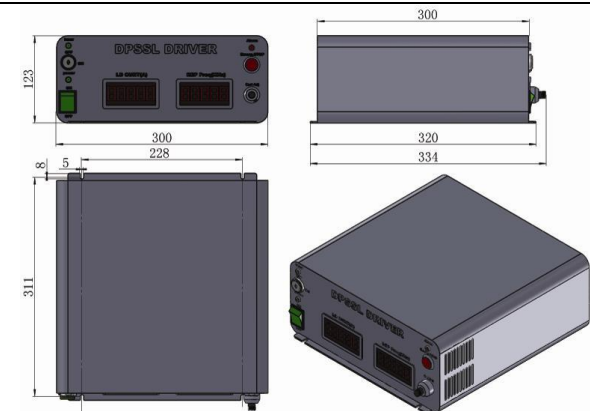


Laser Head Dimensions



346(L) × 140(W) × 125(H) mm<sup>3</sup>, 6.0kg

Driver PSU-AOM



334(L) × 300(W) × 123(H) mm<sup>3</sup>, 6.2kg