

DATA SHEET


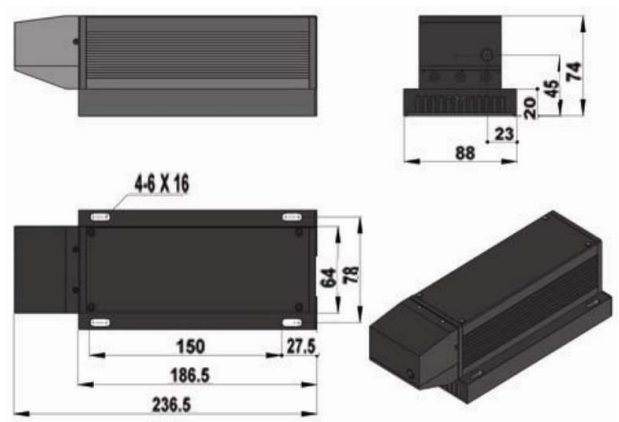
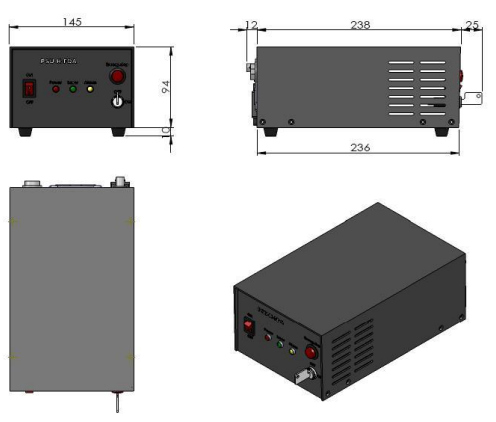
Model: MPL-F-266/0.1~5uJ/1~20mW

**LD PUMPED ALL-SOLID-STATE
UV LASER**

All solid state 266nm UV laser is made features of ultra-compact, long lifetime, low cost and easy operating, which is widely used in UV curing, micro-electronics, CD carving, laser medical treatment, scientific experiment, etc.



Wavelength (nm)		266 ± 1nm
Average output Power (mW)		1~20mW
Transverse mode		Near TEM ₀₀
Operating mode		Frequency conversion of Q-switched pulsed laser
Single pulse energy (μJ)		0.1~5
Pulse duration (ns)		~5
Peak power (W)		20~1,000
Rep. rate (kHz)	Controllable	Fixed rep. rate, such as 1k, 2k, 3k, 4kHz, with stable laser pulses emitting (stable pulse energy, peak, duration and period). Different rep. rate in the range of 1kHz-5kHz can be obtained by input an external TTL signal.
	Uncontrollable	Undefined rep. rate among 5k-7kHz and unstable laser pulse emitting. Suitable for the applications only needing high peak power pulses.
Average power (mW)		Average power (mW) = Single pulse energy (μJ) * Rep. rate (kHz)
Ave power stability (over 4 hours)		<5%, <10%
Warm-up time (minutes)		<10
M ² factor		<1.5
Spectral purity		>99%
Beam parameters		Elliptical (4:1), Beam spot ~2mm
Polarization ratio		>100:1
Beam height from base plate (mm)		45
Operating temperature (°C)		10~35
Expected lifetime (hours)		5,000
Warranty period		1 year
Remarks		Please Note: because of the Walk-off effect of Nonlinear crystals, the beam quality of UV laser is not as good as that of 1064/532nm laser.

Laser Head Model: MxL-F-266	Laser Head Dimensions	Power Supply Model: PSU-H-FDA
	 <p>236.5(L) × 88(W) × 74(H) mm³, 2.0 kg</p>	 <p>236(L) × 145(W) × 104(H) mm³, 2.3 kg</p>