

MSL-FN-360/1~50mW



**SINGLE LONGITUDINAL MODE
UV LASER AT 360nm**

All solid state single longitudinal mode laser at 360nm is made features of ultra compact, long lifetime, low cost and easy operating, which is used in DNA sequencing, flow cytometry, cell sorting, optical instrument, spectrum analysis, interference, measurement, holography, brillouin scattering, physics experiment, etc.

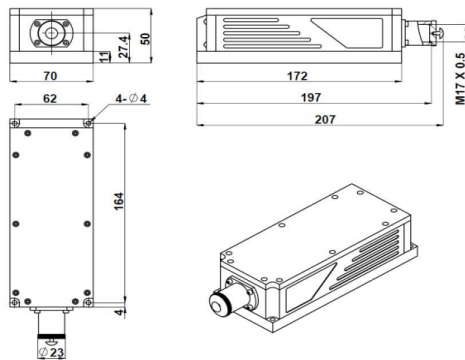


SPECIFICATIONS

Wavelength (nm)	360±1
Operating mode	CW
Output power (mW)	>1, 2, 3, ... , 50
Power stability (rms, over 4 hours)	<1%, <2%, <3%
Transverse mode	TEM ₀₀
Longitudinal mode	Single
Spectral linewidth (nm)	<0.00001
Coherent length (m)	>50
Noise of amplitude (rms, 1Hz~20MHz)	<0.5%, <1%, typical<0.5%
M ² factor	<1.5
Beam diameter at the aperture (1/e ² , mm)	~1.2
Beam divergence, full angle (mrad)	<1.0
Polarization ratio	>50:1 Horizontal±5 degree (Vertical Optional)
Warm-up time (minutes)	<10
Pointing stability after warm-up (mrad)	<0.05
Beam height from base plate (mm)	27.4
Operating temperature (°C)	10~35
Power supply (90-264VAC)	PSU-H-FDA
Expected lifetime (hours)	10000
Warranty	1 year

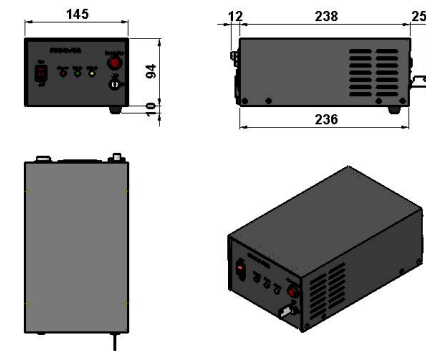


MSL-FN-360



197(L)×70(W)×50(H) mm³, 1.5kg

PSU-H-FDA



275(L) ×145(W) ×104(H) mm³, 2.3 kg